

AGRAM

L U X U R Y C H A R T E R Y A C H T

























KEY FEATURES

- ▶ Stylish and modern interior
- ▶ Upper Salon can be converted as an extra guest cabin
- ▶ Accommodates 12 Guests in 6 elegant Cabins
- ▶ Very spacious flybridge
- ▶ Supersize jacuzzi on flybridge
- ▶ Ample space for sunbathing
- ▶ A wide selection of water toys
- ▶ Experienced and long term crew



TENDERS & WATER TOYS

- ▶ Jet Tender Cirus 6.50m (260 BHP),
- ▶ Jet Ski Yamaha SVHO 260 BHP,
- ▶ Jet Ski Yamaha FX SHO 160 BHP,
- ▶ Sea Doo RS3 Underwater Scooter,
- ▶ Seabob F5S,
- ▶ Stand UP Paddle board ,
- ▶ Wake board, 2x Kayak.
- ▶ Doughnut, Banana,
- ▶ Snorkelling and Freediving equipment,
- ▶ Dive gear (RDV diving ONLY)
- ▶ 1x Seabob F5S
- ▶ 2x Waterski



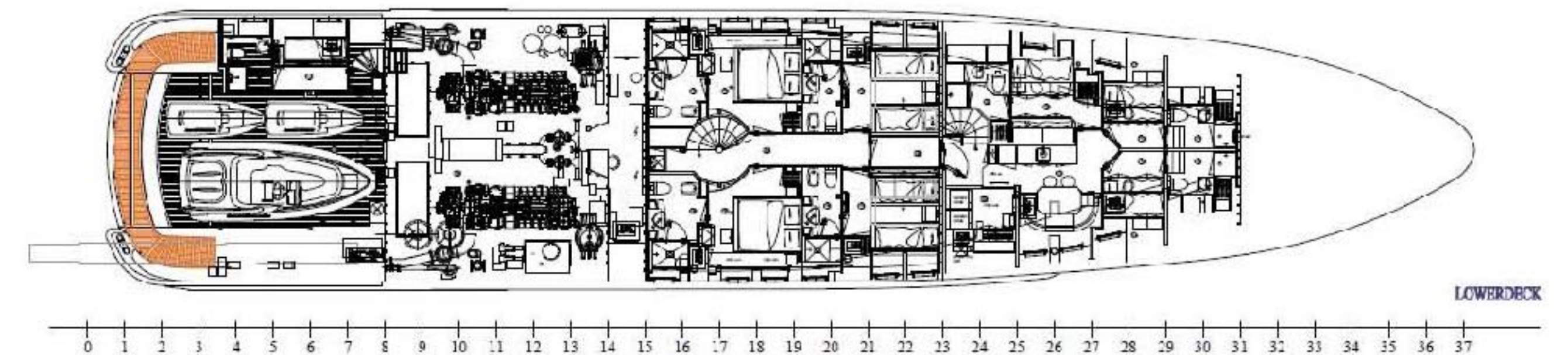
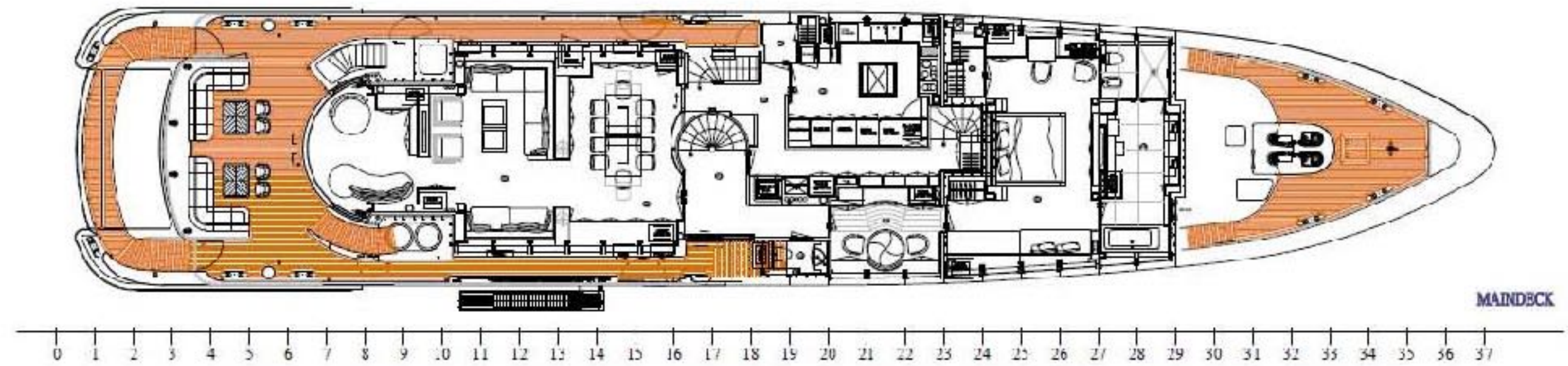
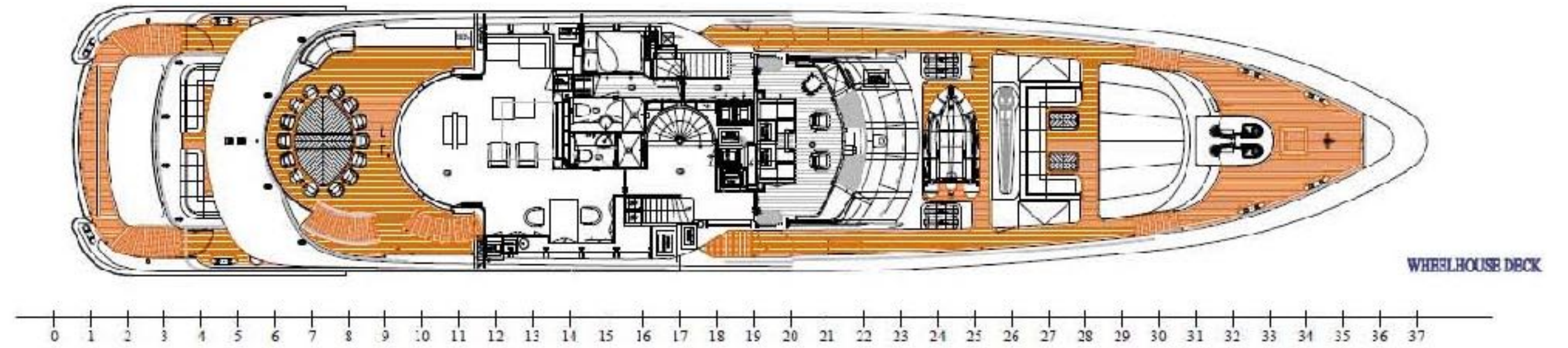
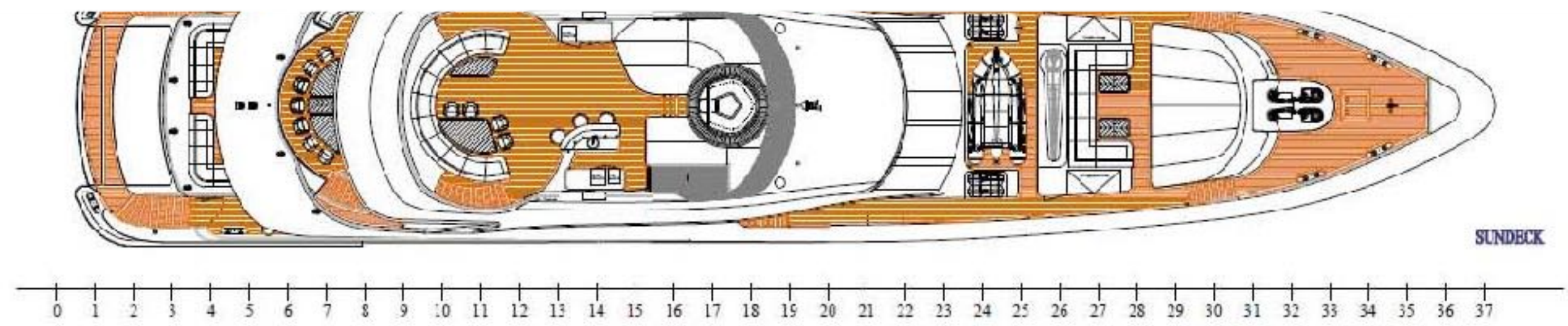
SPECIFICATIONS

Accommodates	12 Guests in 6 Staterooms
Arrangements	1 King, 3 Queen, 2 Convertible, 1 Pullman
Length	144'11" (44.17m)
Beam	29'6" (9.00m)
Draft	8'2" (2.50m)
Year / Refit	2008 / 2016
Builder	HEESEN
Interior Designer	Omega Architects & Heesen
Engines	2 x MTU / 3,699 hp each
Cruising Speed	14 knots
Max Speed	24 knots
Fuel Consumption	850 l/hr @ 14 knots
Range	3200 nm @ 12 knots
GRT	458

AGRAM



GENERAL ARRANGEMENT



AGRAM

C O N T A C T Y O U R C H A R T E R B R O K E R